

■ SHORTCUTT® 4" Valve

Description

TDW's line of distribution valves includes the SHORTCUTT® 500 Valve and SHORTCUTT® Valve. All are designed for use with the SHORTSTOPP® Plugging Systems for Hot Tapping and SHORTSTOPP® Plugging Operations.

These are temporary valves that are used with TDW drilling or tapping machines and SHORTSTOPP® Plugging Machines. Their compact size reduces the travel required for the drilling machine's boring bar to make taps. The valves are full opening, permitting passage of TDW drills, hole saws, cutters, plugging heads and completion plugs.

Features

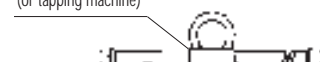
The SHORTCUTT Valve body is constructed of pressure-quality plate. The SHORTCUTT 500 Valves are constructed of machined steel rated CE PED compliant.

The 2" and 3" (DN 50 and DN 80) SHORTCUTT 500 Valves replace the SHORTCUTT 2" and 3" valves to accommodate higher pressure lines. The maximum working pressure is 500 psi at 100°F (35 bar at 38°C) or 460 psi at 180°F (31 bar at 82°C).

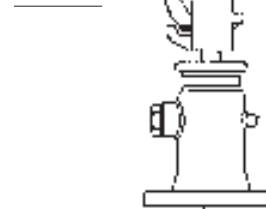
The SHORTCUTT Valves accommodate 4" to 12" (DN 100 - DN 300) lines. The maximum working pressure is 275 psi at 100°F (19 bar at 38°C) or 265 psi at 180°F (18 bar at 82°C).

These valve sizes meet ASME Class 150 bolt pattern and are PED Compliant 2014/68/EU with CE stamping.

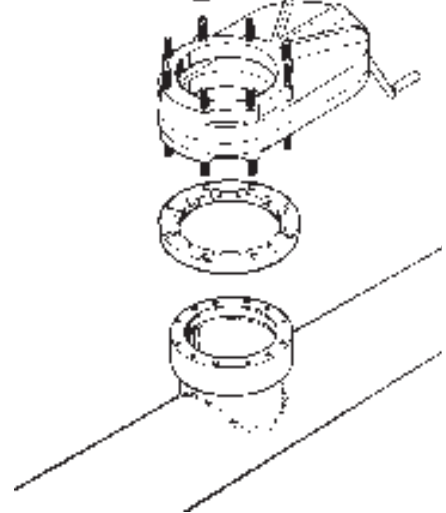
SHORTSTOPP® II
Plugging Machine
(or tapping machine)



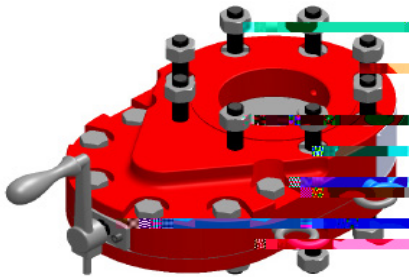
Bleeder Valve



SHORTCUTT® Valve



Dimensions and Part Numbers



SHORTCUTT® Valves

Size		Weight		Part Number
Inches	DN	Lbs.	Kg.	
4	100	95	43	12351560
6	150	181	82	12351703
8	200	278	126	12308811
10	250	560	254	12303408

SHORTCUTT®



T.D. Williamson

2010.002.01 - p4